

## ASSEMBLY INSTRUCTIONS

### Caution !

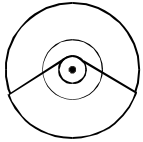
Watch your fingers when adjusting clamps. They may become pinched resulting in injury. Be careful around pipe ends, inside the pipe and screw ends. Metal shavings, etc. May injure your fingers.

### Inside This Package

Before assembly, please make sure that all the items listed below are present.

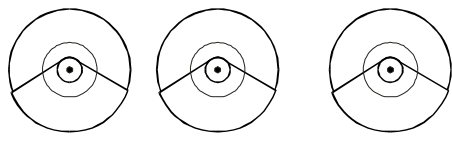
#### [14" CYMBAL PAD] BOX

14" Cymbal Pad



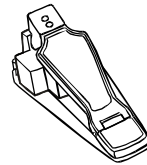
#### [12" CYMBAL PADS] BOX

12" Cymbal Pads x 3



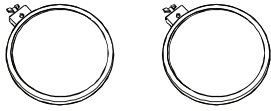
#### [HI-HAT PEDAL] BOX

Hi-Hat Control Pedal



#### [11" DRUM PADS] BOX

11" Drum Pad x 2

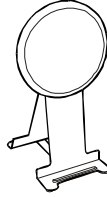


#### [9" DRUM PADS AND KICK PAD] BOX

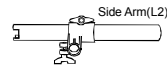
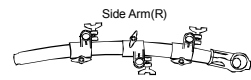
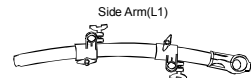
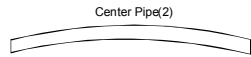
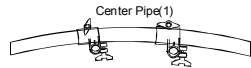
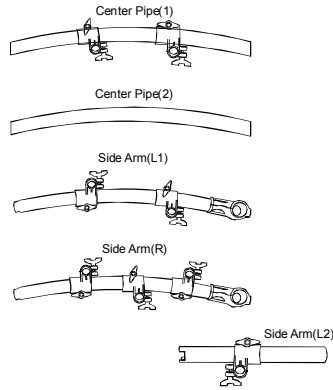
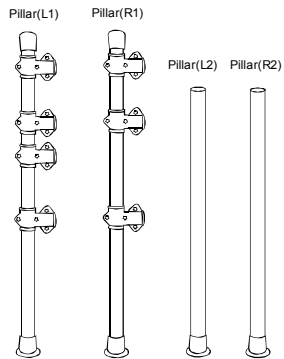
9" Tom Pads x 3



Kick Pad



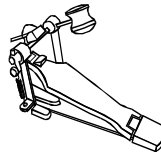
### DRUM RACK



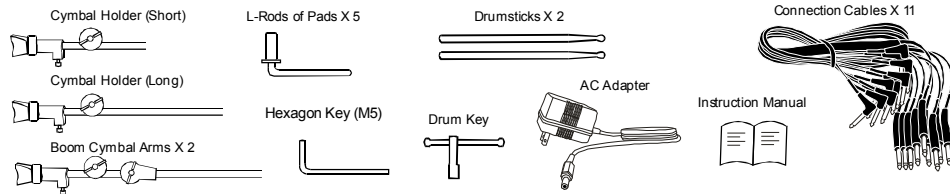
#### [DRUM MODULE] BOX



#### [Kick Trigger] BOX



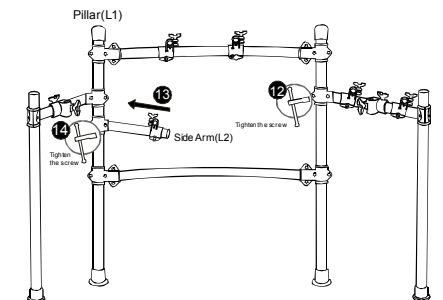
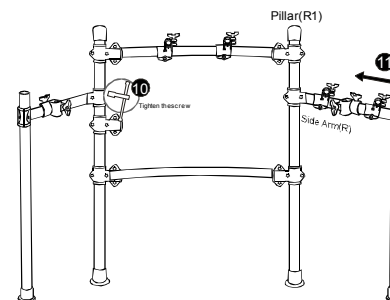
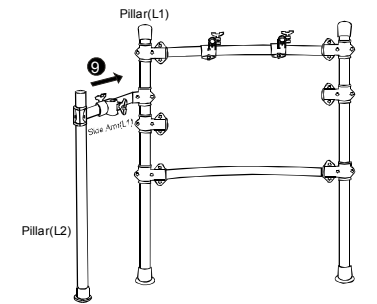
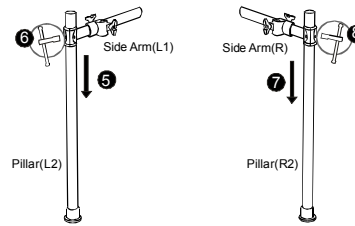
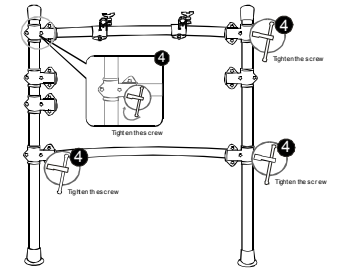
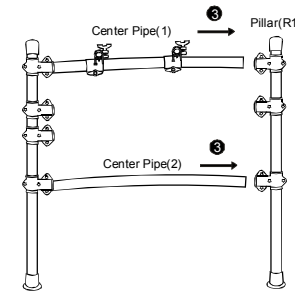
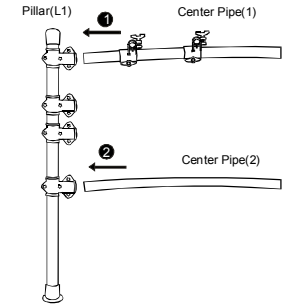
### ACCESSORY BOX



## Assembly

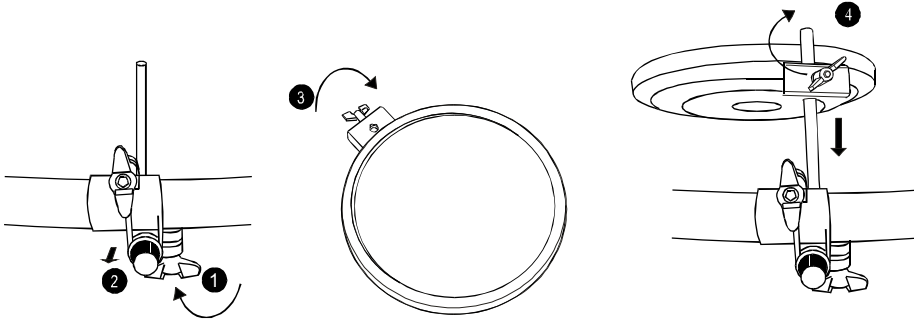
### 1 Setting up the frame of the digital drum set

- [1] Attach the Center Pipe(1) to the clamp on the pillar(L1)
- [2] Attach the Center Pipe(2) to the clamp on the pillar(L1)
- [3] Attach the Center Pipe(1)(2) to the clamp on the pillar(R1)
- [4] Using the drum key tighten the screws on the clamp.
- [5] Attach the side arm (L1) to the clamp on the pillar(L2)
- [6] Tighten the screws on the clamp.
- [7] Attach the side arm (R) to the clamp on the pillar(R2)
- [8] Tighten the screws on the clamp.
- [9] Attach the side arm(L1) to the clamp on the pillar (L1)
- [10] Tighten the screws on the clamp.
- [11] Attach the side arm(R) to the clamp on the pillar(R1)
- [12] Tighten the screws on the clamp.
- [13] Attach the side arm(L2) to the clamp on the pillar(L1)
- [14] Tighten the screws on the clamp.



## Attaching pads to rack

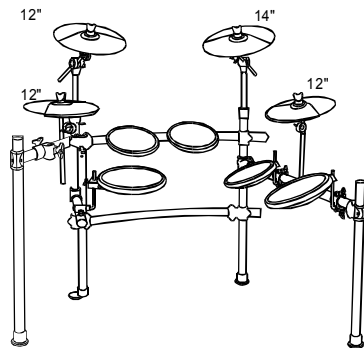
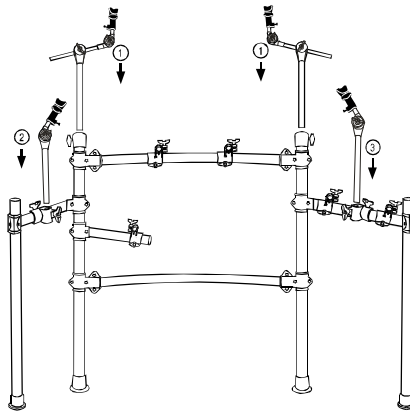
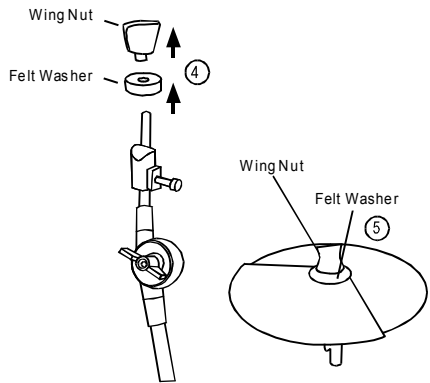
- 1 Loosen L-rod wing nuts on tom clamps.
- 2 Insert textured plastic end of L-rod into tom clamp and tighten wing nuts. Repeat for each tom clamp.
- 3 Loosen wing nut on pad.
- 4 Attach pads to L-rods and tighten wing nuts. Repeat for each pad.



## Attaching cymbals

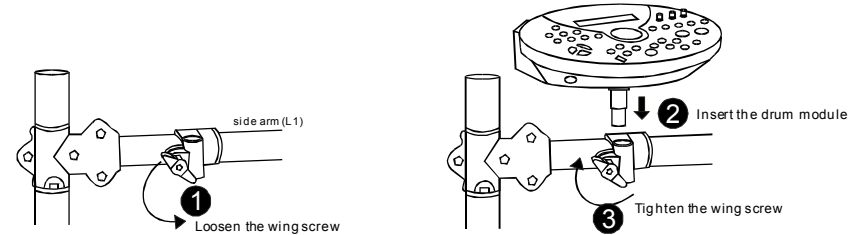
- 1 Insert each boom cymbal arm into pillar(L1) and pillar(R1).
- 2 Insert cymbal holder(short) on the left side-arm cymbal clamp.
- 3 Insert cymbal holder(long) on the right side-arm cymbal clamp.
- 4 Remove wing nut and felt washer from cymbal tilter. Place cymbal pad on tilter assembly.
- 5 Re-attach the felt washer and wing nut. Tighten wing nut.

Note: Cymbals are arranged as follows: 12" Hi-Hat on left-side short arm, 12" crash on left-side boom arm, 14" ride on right-side boom arm, 12" crash on right-side long arm.



## Attaching module

- 1 Loosen the wing screw on the clamp
- 2 Insert the drum module to the clamp
- 3 Tighten the wing screw on the clamp



## Bass drum and Hi-Hat pedal

- 1 Place the bass drum pad on the floor in the center of rack. Attach your bass drum pedal to the bass drum pad.
- 2 Place the Hi-Hat pedal on the floor on your left side.
- 3 Please connect the clearly marked cables from the pads to the correct inputs on the drum module, and you are ready to play!

